

乐清市裕林电子有限公司

YUEQING YULIN ELECTRONIC CO., LTD

承认书

SPECIFICATION FOR APPROVAL

客户名称: _____

CUSTOMR:

产品名称: Metal push button switch

APPLICATION:

产品编号: FLYM12-BJ-1-E

SERIES NUMBER:

订货编号: _____

ORDER NUMBER:

客户承认签核 (CUSTOMER APPROVAL)

--

内部签核 (SIGNATURE)

核准 (APPROVAL)	审核 (CHECK)	制作 (CONFIRM)

Address: F/6 No.19 Keaisi road xiangyang industrial zone road
tantou liushi yueqing wenzhou

Tel: 0577-27878383

Fax: 0577-27878383-8027

website: <https://www.indicatorlight.com/>

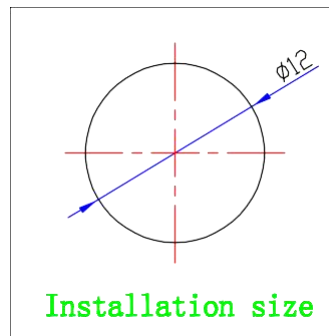
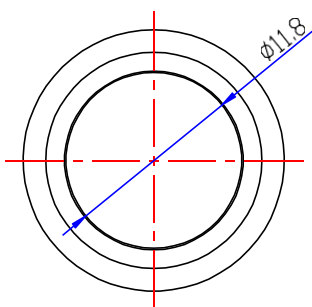
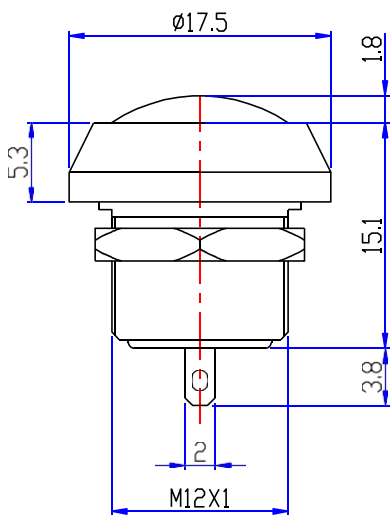
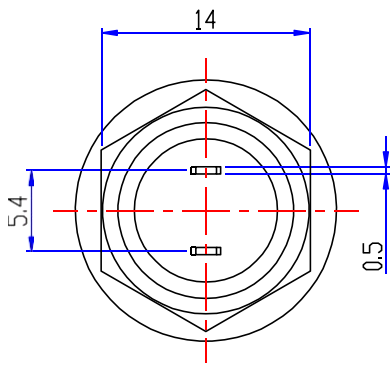


技术参数 technical parameter

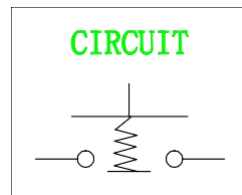
product name		Metal push button switch	
Product number		FLYM12-BJ-1-E	
Electrical parameters		3A/250VAC	
Operating temperature		-20℃~+55℃	
Protection level		IP65, IK08	
Switch combination		1NO	
Operation type		Momentary button	
Lamp life		Without light	
性能 performance			
P E R F O R M A N C E	Operating stroke	Press down in the vertical direction of the switch	2 ± 0.1
	Action force	Slowly apply a load to the beginning in the vertical direction	4~5N
	Mechanical life	Without load, at 30 times / min speed	100,000 operation cycles
	Solderability	Soldering temperature 230 ± 5 °C Dipping time 3 ± 0.5 S	Tin dipping area is more than 90% of the dipping range
	Heat resistance	Solder temperature 260 ± 5 °C Dipping time 5 ± 1 S	No abnormal electrical and mechanical properties
	Contact resistance	3V.DC	$\leq 50\text{m}\Omega$
	Insulation resistance	500V.DC Duration 1min	$\geq 100\text{M}\Omega$

图纸 drawing

FILN 飞林



Installation size



CIRCUIT